

BRC-643/865

Immersion cleaning machine
with rotating basket



For most demanding cleaning solutions.
Closed liquid circuit.
Modular: Single- or multistage,
according to needs.
Easy connection to automated parts
handling.

For production, maintenance and service purposes.
Final cleaning before assembly.
Cleaning of parts in basket or cleaning fixture.
Ideal for automotive and aerospace solutions

BRC-643/865

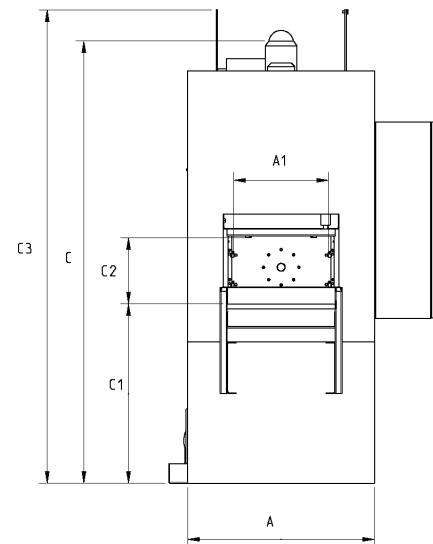
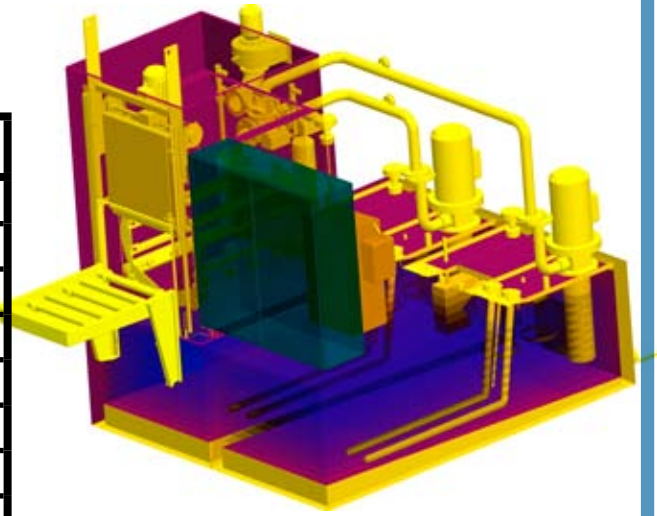
Immersion cleaning machine

Technical information		BRC-643	BRC-865
Tank volume	l	800	1 600
Heating power, tank 1 / (2 and 3)	kW	24 / 12	48 / 36
Pump			
flow	l/min	400/320	800 /
pressure tank, 1 / (2 and 3)	bar	6/4	7/4
motor power, tank 1 / (2 and 3)	kW	7,5/3	18,5/5,5
Drying power ¹⁾	kW	18	18
Noise level	dBA	< 75	< 75
Connection 3x400V, 50Hz, 3x (A)	1 module	63	125
	2 modules	63	160
	3 modules	100	200

1) Drying is available as an option

Dimensions		BRC-643	BRC-865
Width (mm)	Module, A	950	1 200
Depth (mm)	Module	2 250	2 650
	Loading tray	770	920
Height (mm)	Module, C	2 250	2 500
	Door open, C3	2 450	2 900
	Loading height, C1	950	1100

Batch dimensions	BRC-643		BRC-865	
	643	753	865	max.
Basket model				
Depth (mm)	600	670	800	870
Width (mm), A1	400	480	600	660
Height (mm), C2	310	310	500	500



Accessories:

- Oil separation
- Filtration systems
- Detergent dosage units
- Drying
- Automation

Sampo Rosenlew Ltd
Konepajaranta 2 A
P.O. Box 50
FI-28101 PORI, FINLAND

Tel. +358 207 550 555
Fax +358 2632 6546
www.sampo-rosenlew.fi

The manufacturer reserves the right to any changes on product or specifications. Images and specifications may vary from the original.